

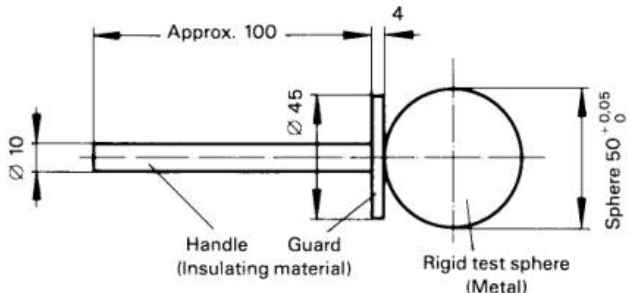
Model	Description	QTY	Unit Price (USD)
HD-E706-1	Sphere 50mm Diameter (IP grade: IP1X)	1 set	
HD-E706-2	Jointed Test Finger (IP grade: IP2X)	1 set	
HD-E706-3	Test Rod 2.5mm Diameter, 100mm Length (IP grade: IP3X)	1 set	
HD-E706-4	Test Wire 1.0mm Diameter, 100mm Length (IP grade: IP4X)	1 set	

SPHERE 50MM DIAMETER (IP GRADE: IP1X)

PRODUCT DETAIL



DESIGN DRAWING

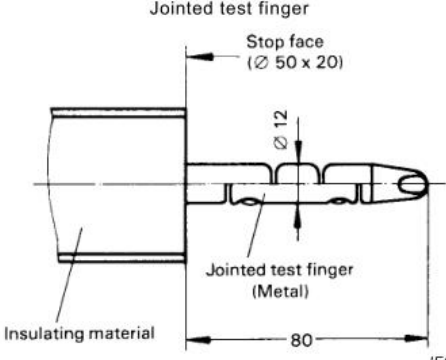
First numeral	Addit. letter	Access probe	Test force
1	A	<p>Sphere 50 mm diameter</p>  <p>Approx. 100</p> <p>4</p> <p>∅ 10</p> <p>∅ 45</p> <p>Handle (Insulating material)</p> <p>Guard</p> <p>Rigid test sphere (Metal)</p> <p>Sphere 50^{+0.05}₀</p> <p>IEC 273/01</p>	50 N ± 10 %

JOINTED TEST FINGER (IP GRADE: IP2X)

PRODUCT DETAIL



DESIGN DRAWING

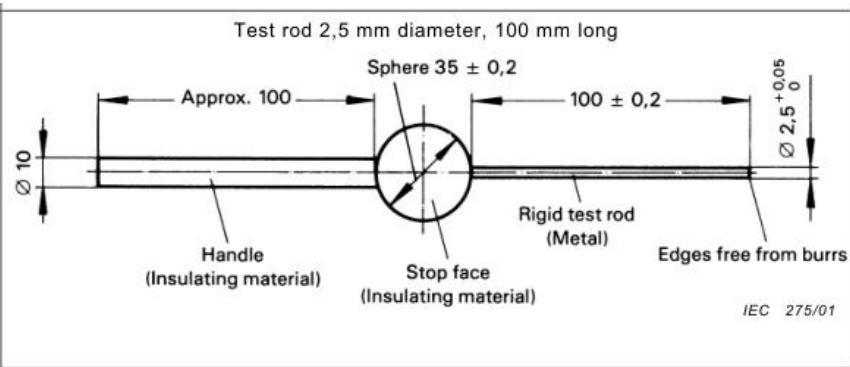
2	B	<p>See figure 1 for full dimensions</p> 	10 N ± 10 %
---	---	---	-------------

TEST ROD 2.5MM DIAMETER, 100MM LONG (IP GRADE: IP3X)

PRODUCT DETAIL



DESIGN DRAWING

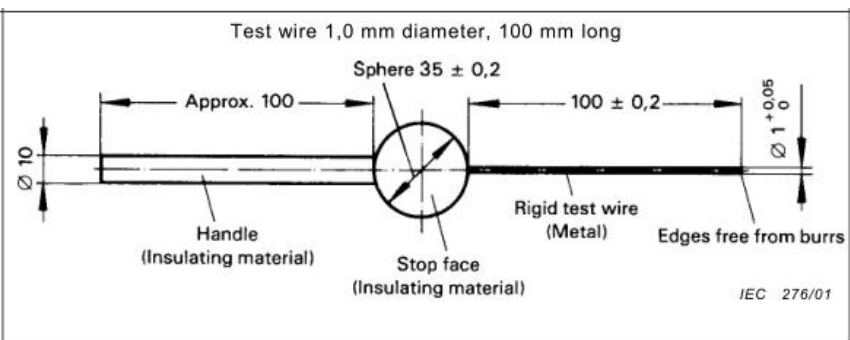
3	C	<p>Test rod 2,5 mm diameter, 100 mm long</p> 	3 N ± 10 %
---	---	---	------------

TEST WIRE 10MM DIAMETER, 100MM LONG (IP GRADE: IP4X)

PRODUCT DETAIL



DESIGN DRAWING

4, 5, 6	D	<p>Test wire 1,0 mm diameter, 100 mm long</p> 	1 N ± 10 %
---------	---	--	------------